



Traditional suspension

The lamptop that refuses to tilt.



Both good-looking and smart.

Sure, our lamptop is good-looking. But the greatest thing with it is the clever construction on the inside which ensures that it always sits straight on to the ceiling.

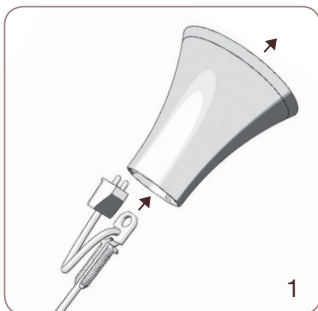
Stands out – and blends in.

The lamptop enhances the overall impression of the room by standing out and blending in at the same time. We have several models and a range of stylish colours.

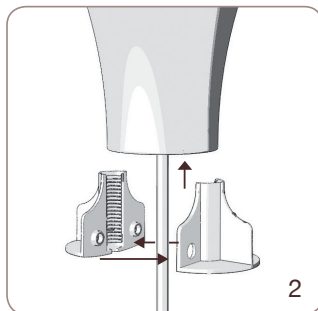
Super easy to mount.

It will definitely fit your pendant lamp, since it fits all lamps that hang in their own cord. You can mount it in less than three minutes, without any cutting of cords or use of tools.

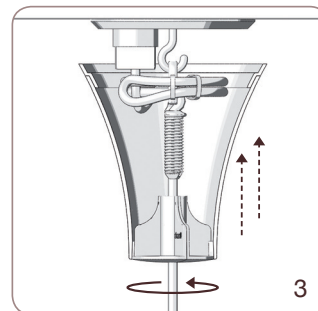
Three steps until the lamp sits perfectly. Day after day.



1 Fasten the cord into the semi-open screw, enter through the lamptop and hang on the ceiling hook.



2 Close the lamptop's bottom pieces around the cord and push into the lamptop.



3 Screw the lamptop onto the screw. It is then directed straight upwards and with the ceiling hook as anchorage, it sits perfectly.

dezell lamptops