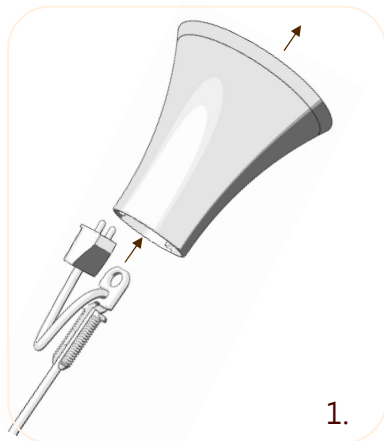


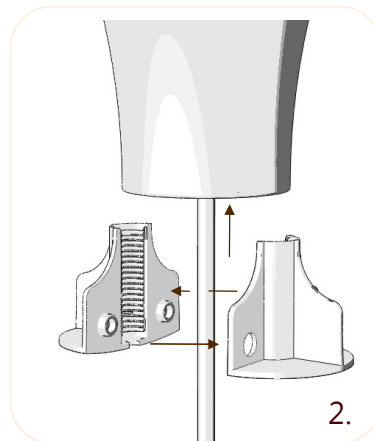
# New clever way to hang pendant lamps

Super-easy to mount, no cutting of cords

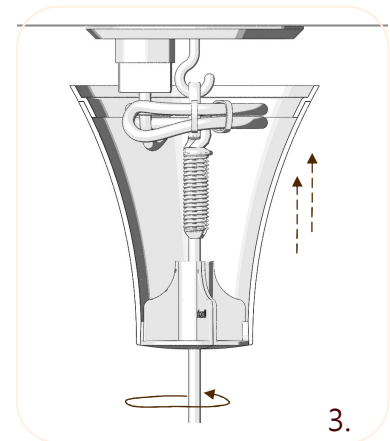
The way it works:



Fasten the cord into the semi-open screw, enter through the lamptop and hang on the ceiling hook.



Close the lamptop's bottom pieces around the cord and push into the lamptop.



Screw the lamptop onto the screw. It is then directed straight upwards and with the ceiling hook as anchorage, it sits perfectly.

## dezall lamptops

